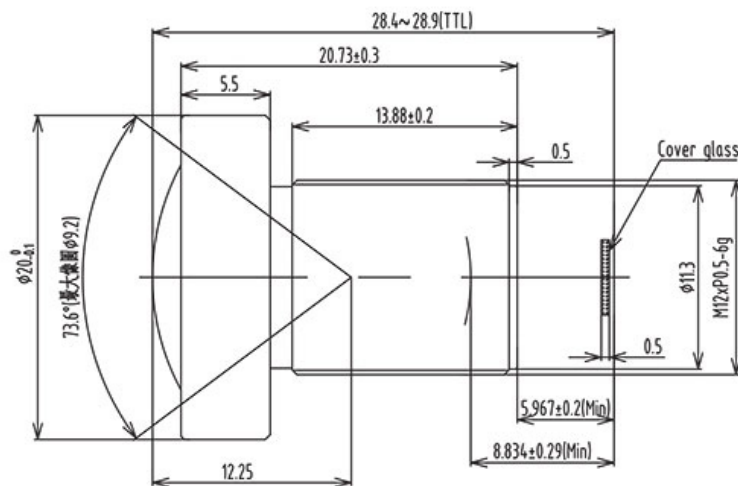


M12-HF6



1/2" M12镜头
F2.8
f = 6mm

Dimensions



Parameters

1/1.8" F2.8/6mm M12 Mount		Working distance	Optical Magnification	1/1.8" Field of View(mm)	
Focal Length	f=6mm			H	V
F.No	2.8±5%		mm		
Picture Size	1/1.8"(8.95x7.2x5.32)	1/3"(6x4.8x3.2)	850	1006	754.5
Angle	H	60.6°±5°	800	947.3	710.5
	V	46.6°±5°	750	888.6	666.5
	D	72°±5°	700	829.9	622.5
Distortion (TV)	<0.5%(D)	<0.4%(D)	650	771.3	578.5
Object Dimension at M.O.D(1/1.8", WD=300)	H	360.5mm	600	712.6	534.4
	V	270.4mm	550	653.9	490.4
	D	450.7mm	500	595.3	446.4
Focus distance(min)	0.1M		450	536.6	402.4
TTL(FAR-NEAR)	28.4~28.9mm		400	477.9	358.4
Back focus(Min)	8.83MM		350	419.2	314.4
Resolution	5M		300	360.5	270.4
Relative illumination	60%		250	301.9	226.4
Mount	M12xP0.5		200	243.2	182.4
Temperature Range	-10~+50°C		150	184.5	138.4
Storage Temperature Range	-20~+60°C		100	125.8	94.3